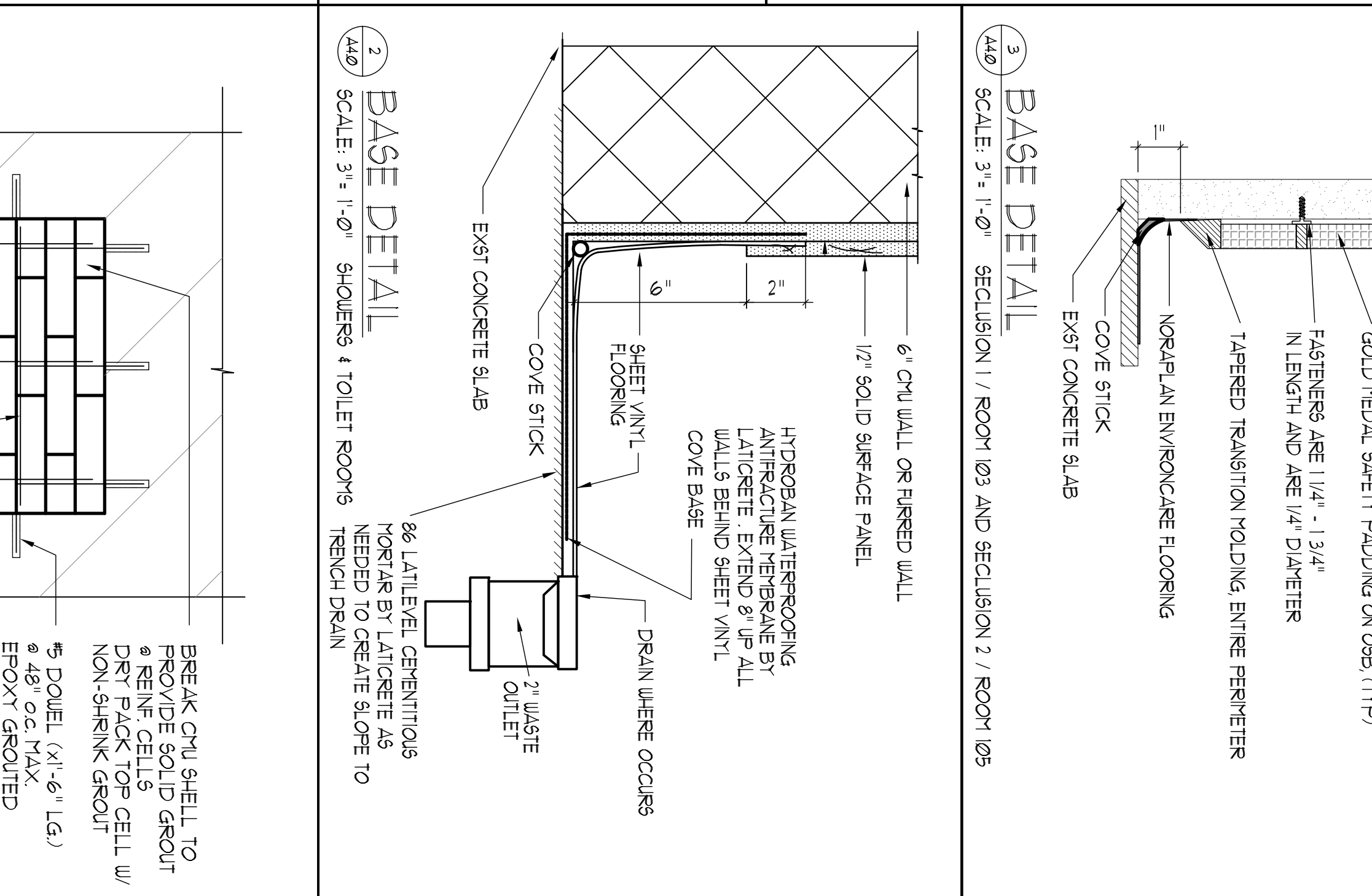
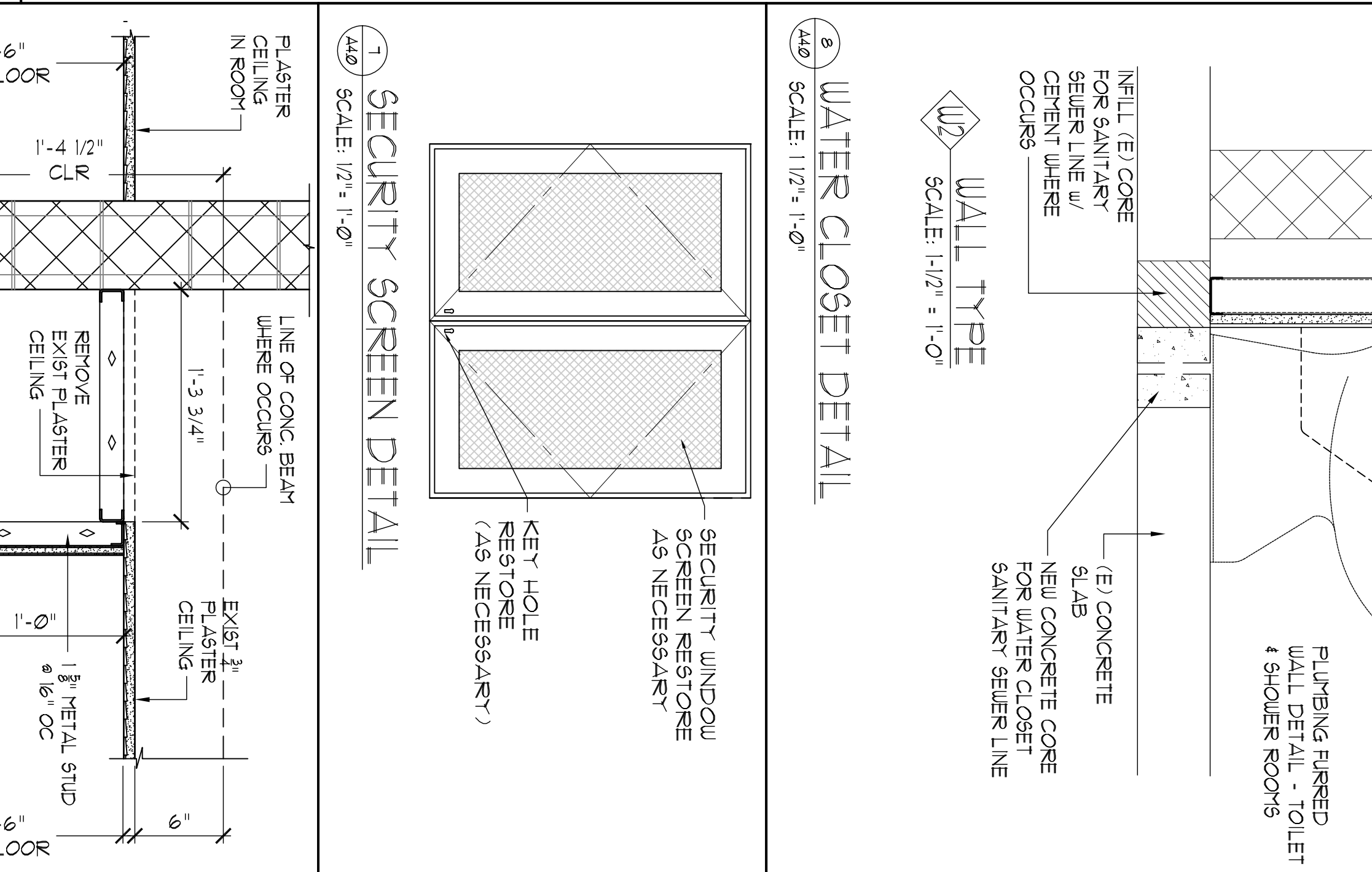
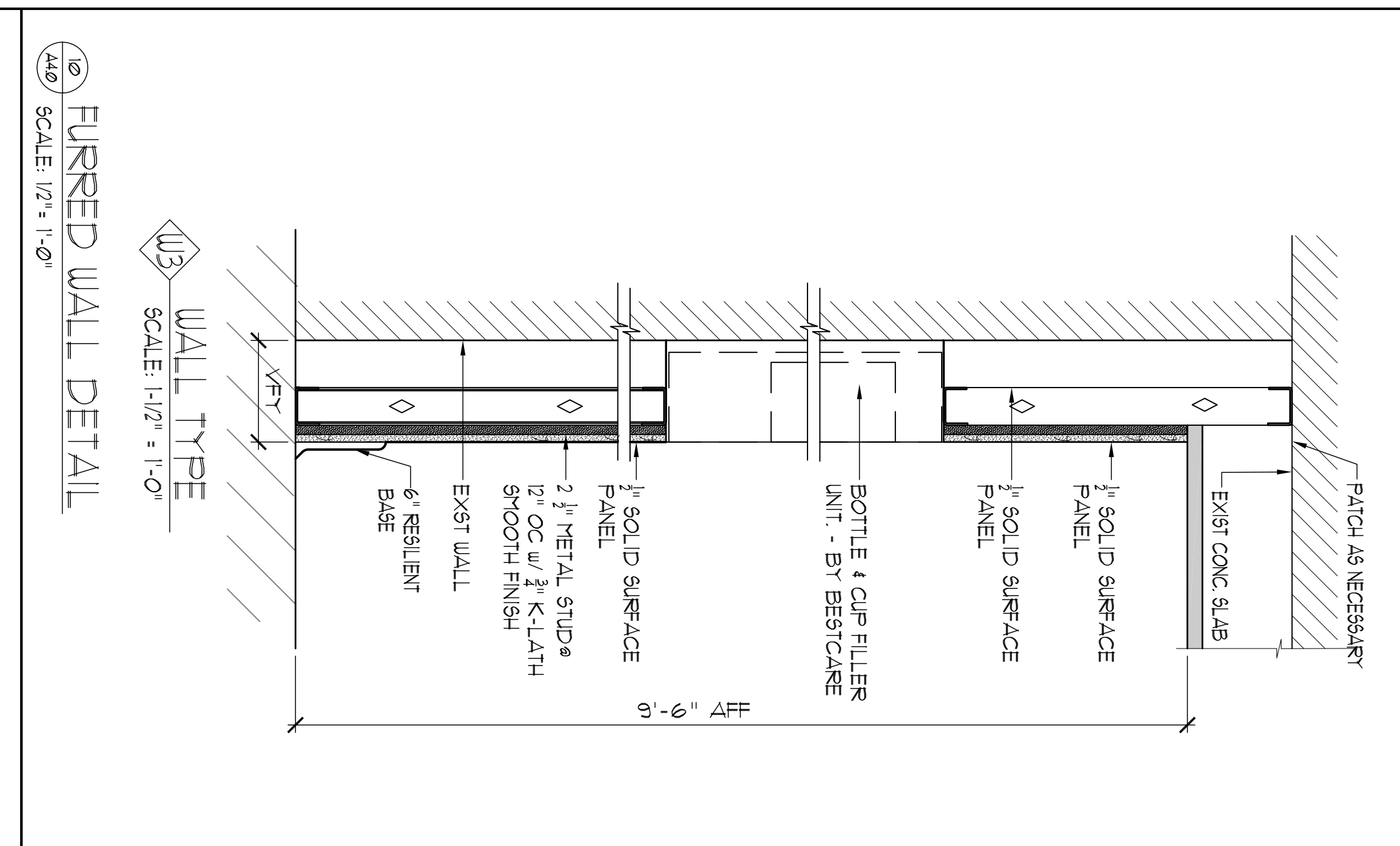
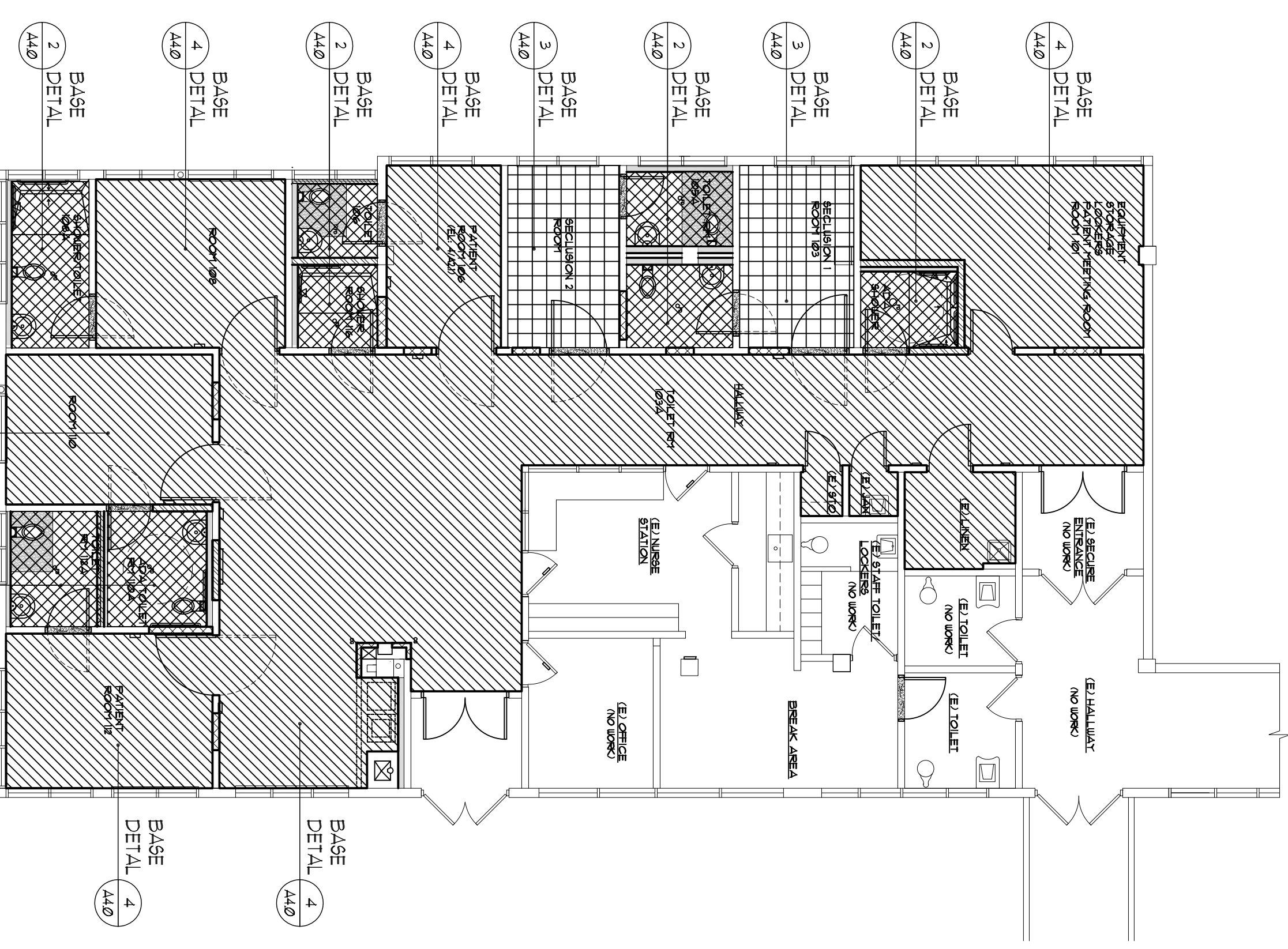


ARCHITECTS: AIA
1314 SOUTH KING / SUITE 955
HONOLULU, HAWAII 96814

ARTHUR Y. MORI & ASSOCIATES, INC.

TMK: 4-6-014: 030

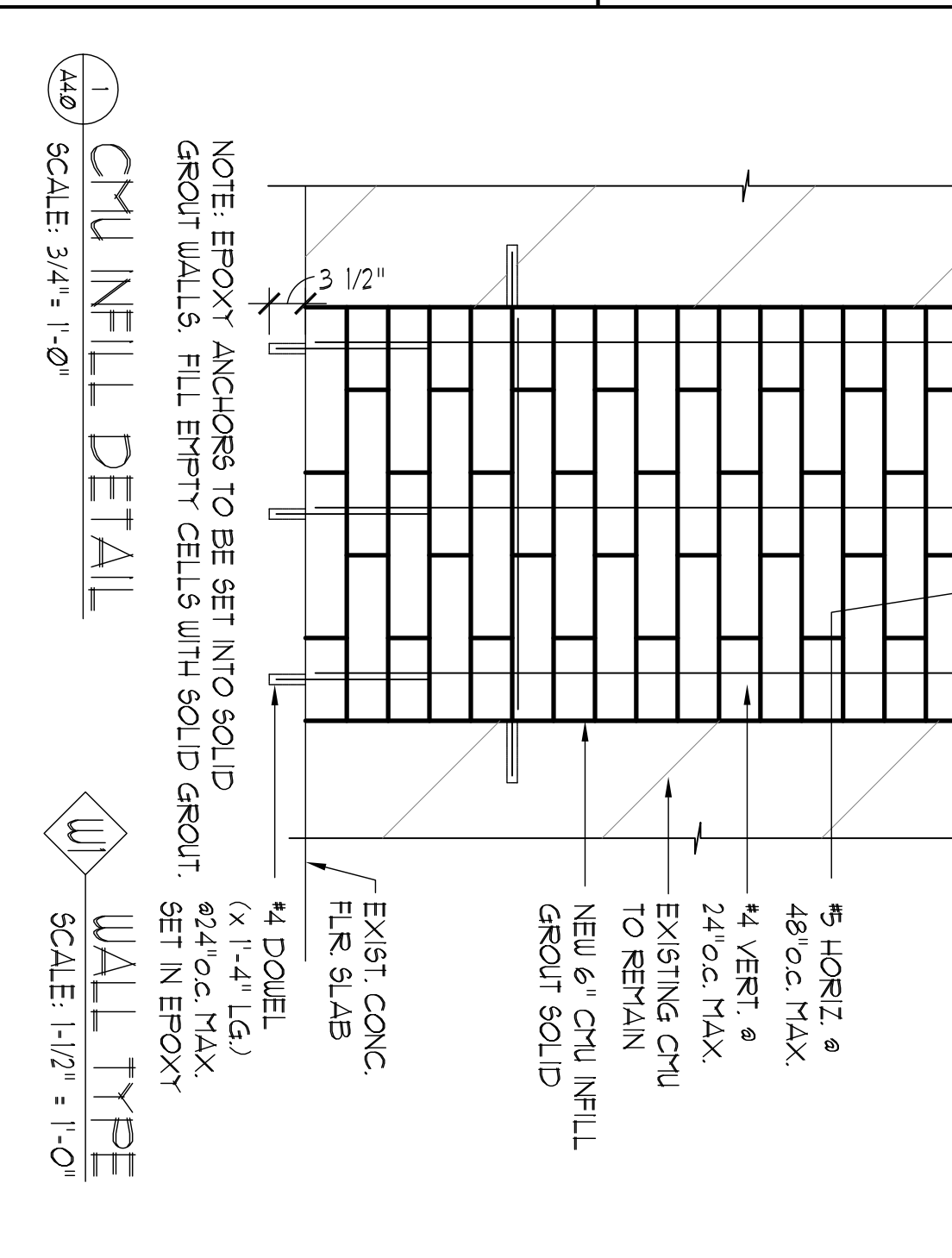
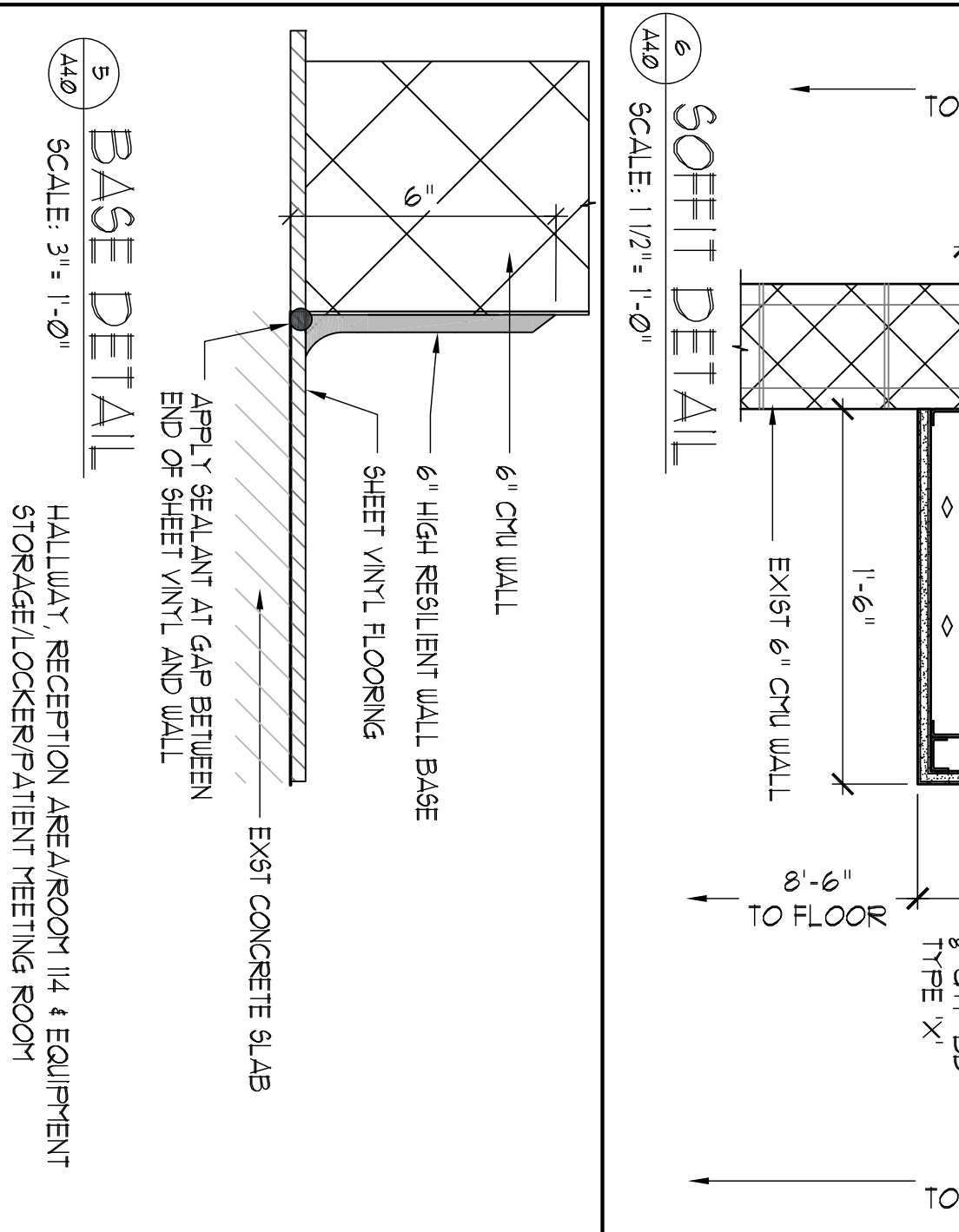
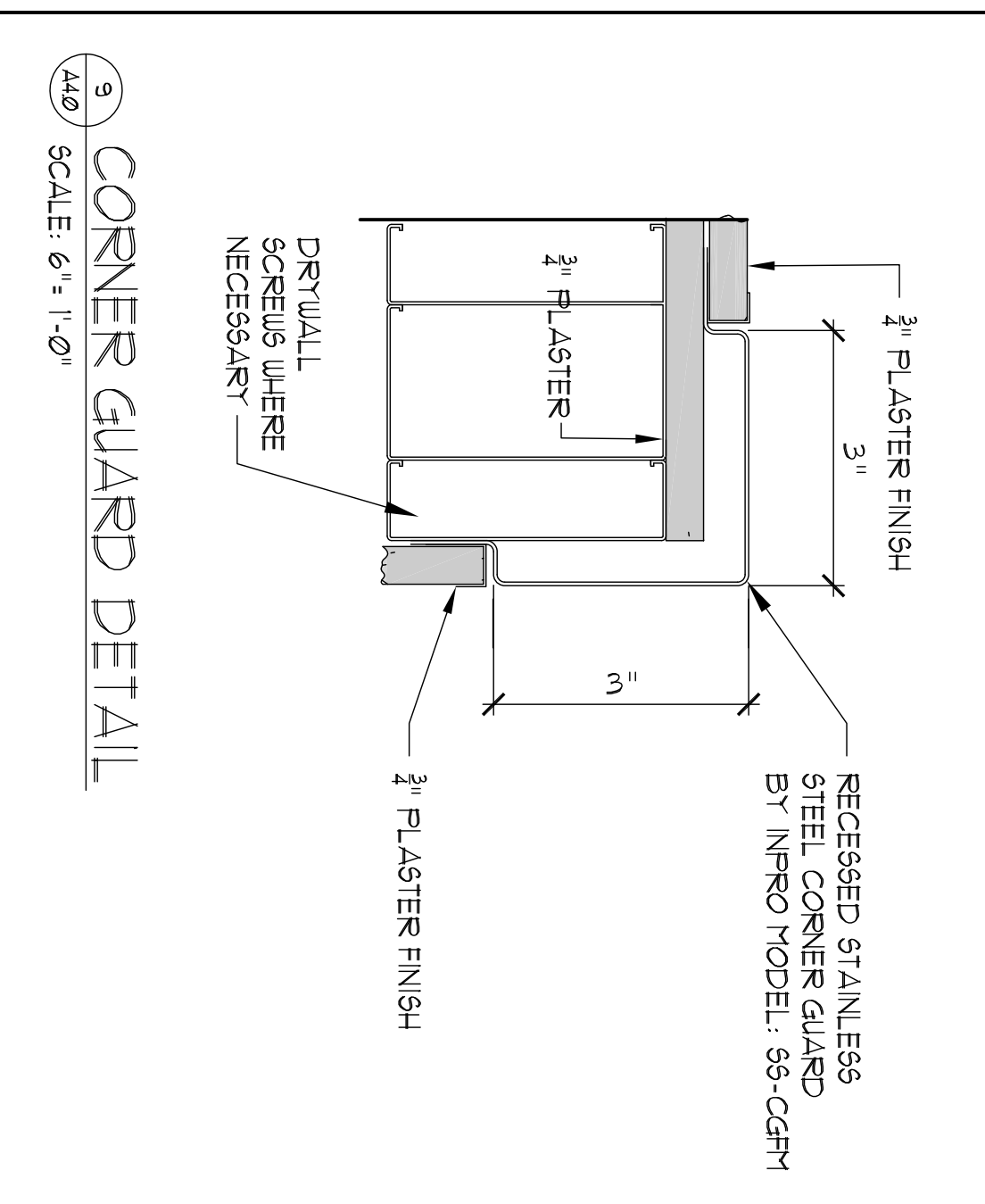
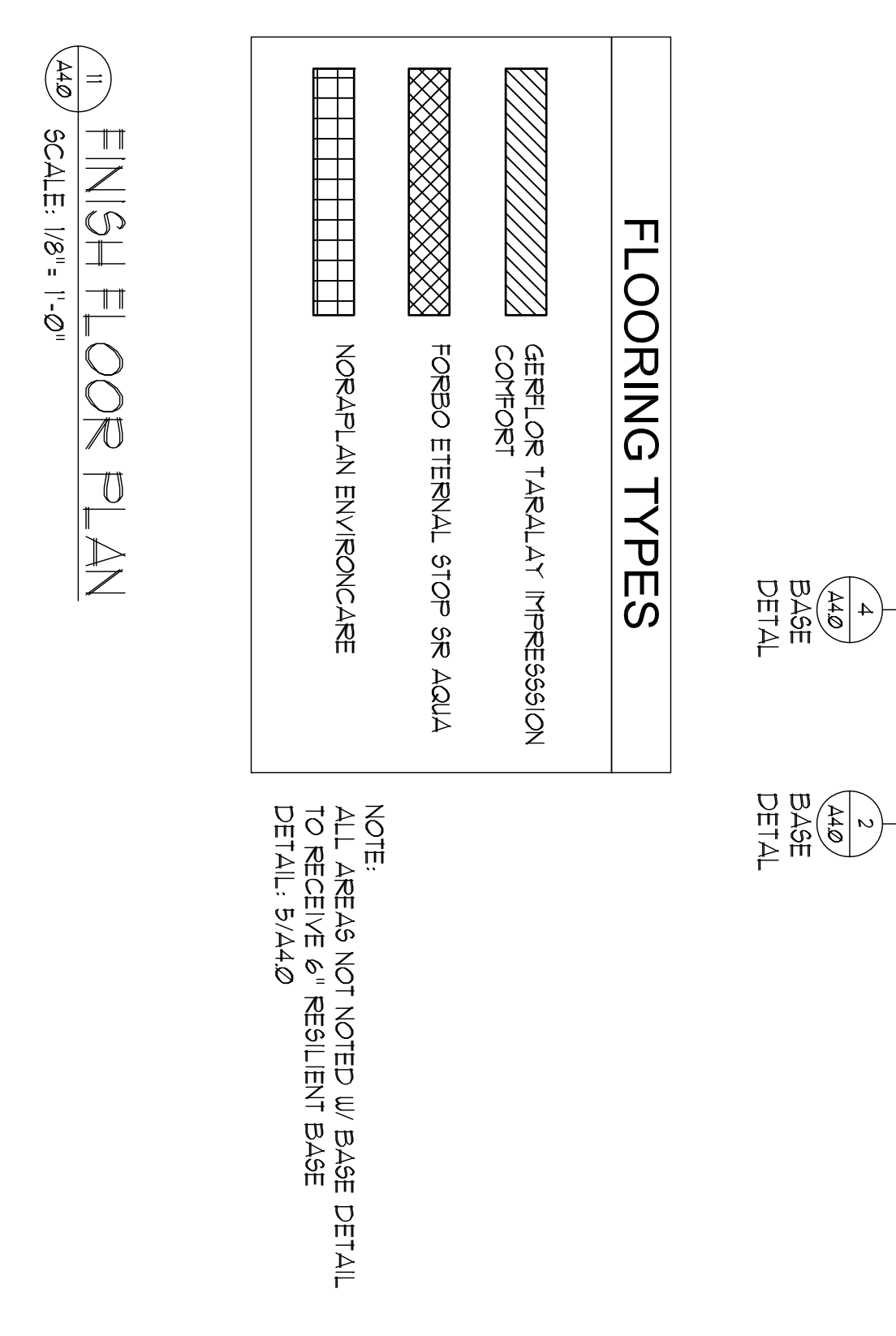


SECRETARY OF COMMERCE
LICENSED PROFESSIONAL ARCHITECT
No. 6053
TESTED AND APPROVED
LICENSE EXPIRES 4/30/18

NOTE: Contractor to check and verify all dimensions at job.

DATE: MARCH 28, 2018

SCALE: 1/2" = 1'-0"



SECRETARY OF COMMERCE
LICENSED PROFESSIONAL ARCHITECT
No. 6053
TESTED AND APPROVED
LICENSE EXPIRES 4/30/18

NOTE: Contractor to check and verify all dimensions at job.

DATE: MARCH 28, 2018

SCALE: 1/2" = 1'-0"

PERMIT STP

SHEET TITLE

WALL TYPE & MISCELLANEOUS DETAILS